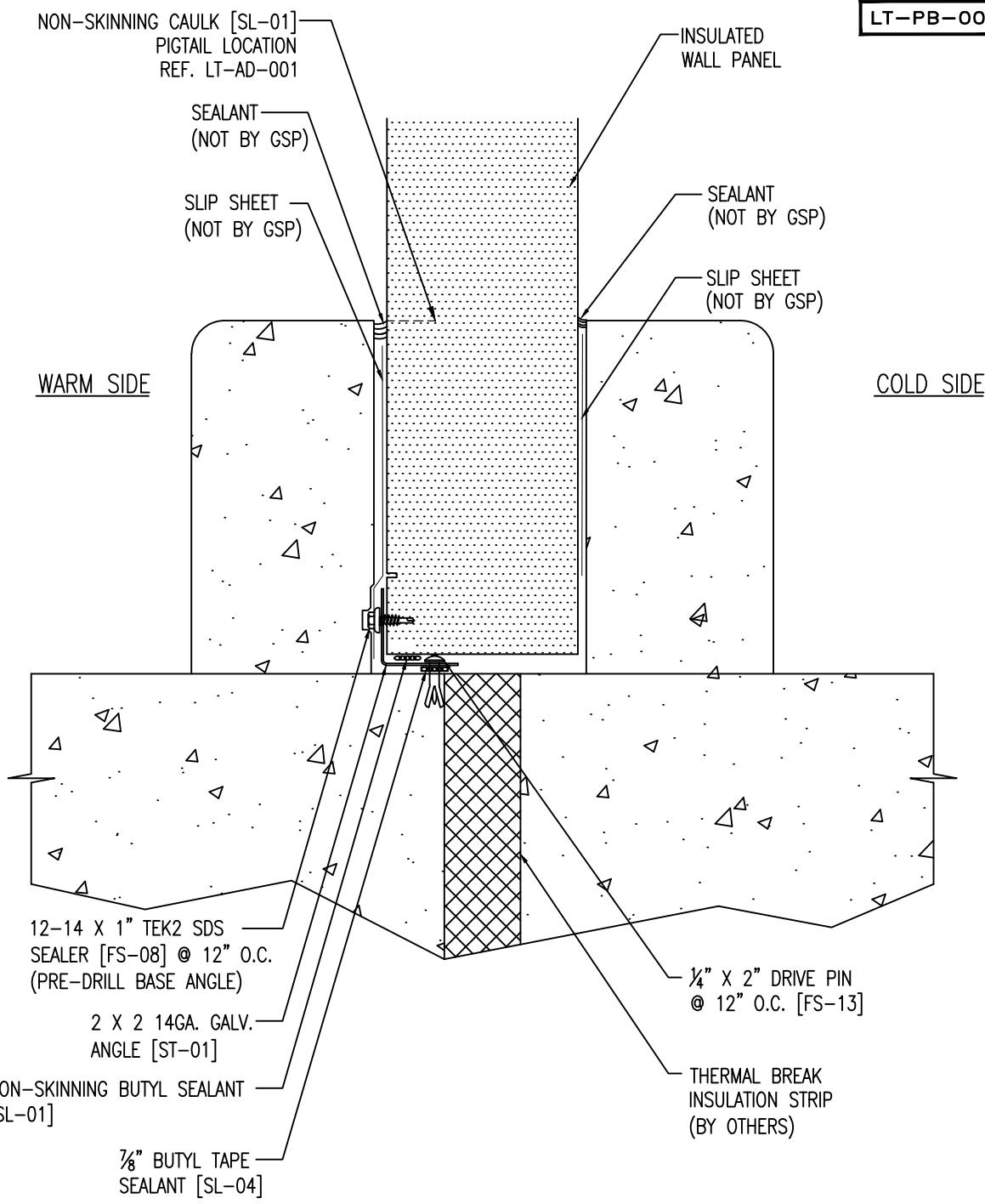


LT-PB-003



PARTITION BASE		
APPLICATION: COOLER / AMBIENT	NOTES:	
SCALE: NTS	REVISION: 2	DATE: 4-7-16
DRAWN: DG	DATE: 11-19-12	
CHECK:	DATE:	
21200 FM362, WALLER, TEXAS 77484	281-807-7400	WWW.GREENSPANPROFILES.COM