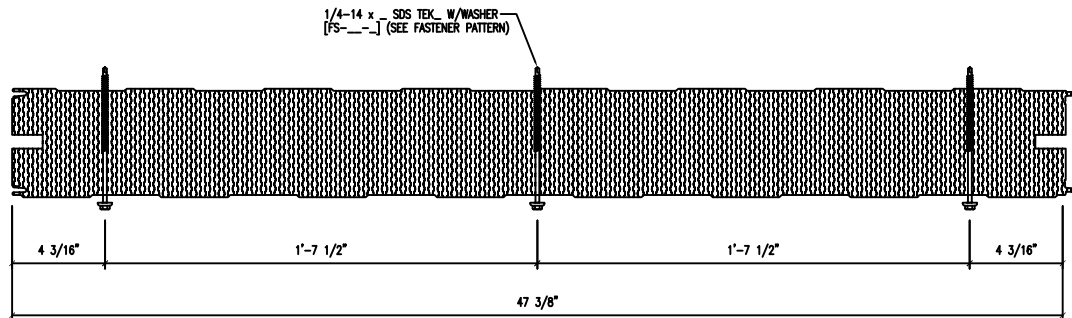
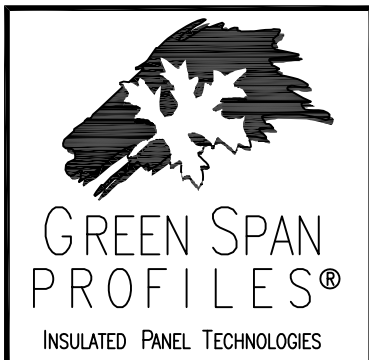


FASTENER PATTERN 1 (AT PANEL ENDS)



FASTENER PATTERN 2 (AT INTERMEDIATE SUPPORTS)

** THE DETAIL SHOWN IS SUBJECT TO CHANGE WITHOUT NOTICE. PLEASE REFERENCE WWW.GREENSPANPROFILES.COM FOR THE MOST CURRENT DATA **



FASTENER PATTERNS		
APPLICATION: FIRE RATED	NOTES:	
SCALE: NTS	REVISION:	DATE:
DRAWN: EH	DATE: 9/2013	
CHECK:	DATE:	
21200 FM362, WALLER, TEXAS 77484	281-807-7400	WWW.GREENSPANPROFILES.COM