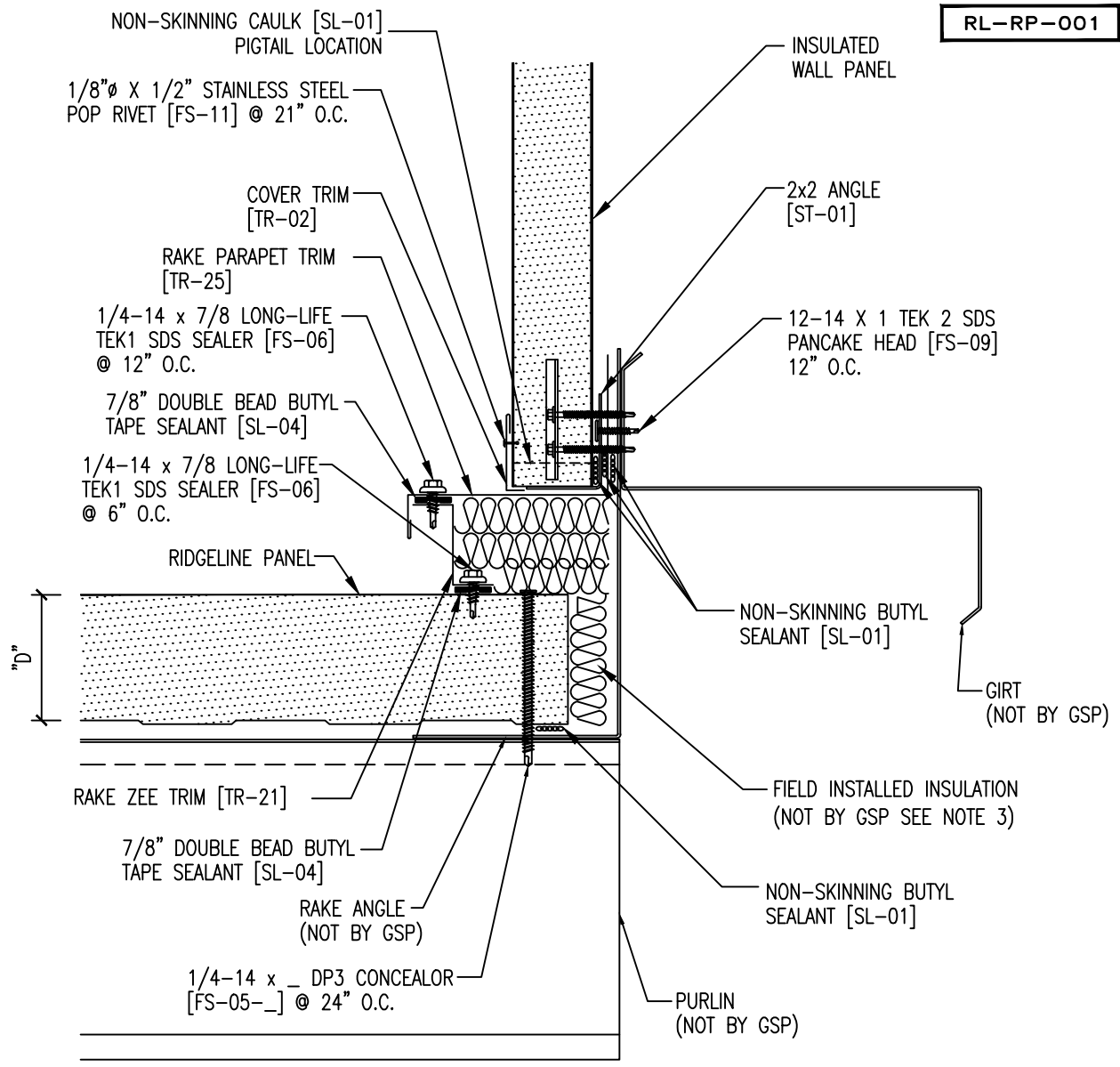
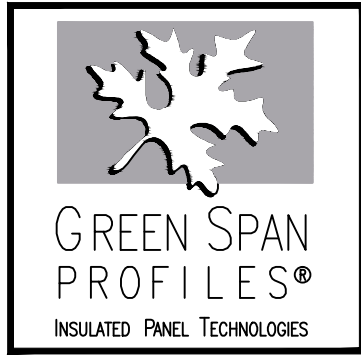


RL-RP-001



- NOTE:
1. "D" = ROOF PANEL THICKNESS (AVAILABLE THICKNESS = 2.5, 3, 4, 5, OR 6)
 2. "W" = WALL PANEL THICKNESS.
 3. FILLER INSULATION MATERIAL AND APPLICATION IS SPECIFIED BY THE PROJECT DESIGNER DIMENSIONS SHOW ARE FOR 3" THICK ROOF PANEL. ADJUST DIMENSION PROPORTIONALLY FOR OTHER ROOF PANELS THICKNESS.
 4. TRANSITION FLASHING IS INSTALLED WITH A PITCH 1/2:12 GREATER THAN THE ROOF PITCH.



RAKE PARAPET		
APPLICATION: ROOF	NOTES:	
SCALE: NTS	REVISION: 3	DATE: 6-3-16
DRAWN: JC	DATE: 10-20-13	
CHECK:	DATE:	
21200 FM362, WALLER, TEXAS 77484	281-807-7400	WWW.GREENSPANPROFILES.COM